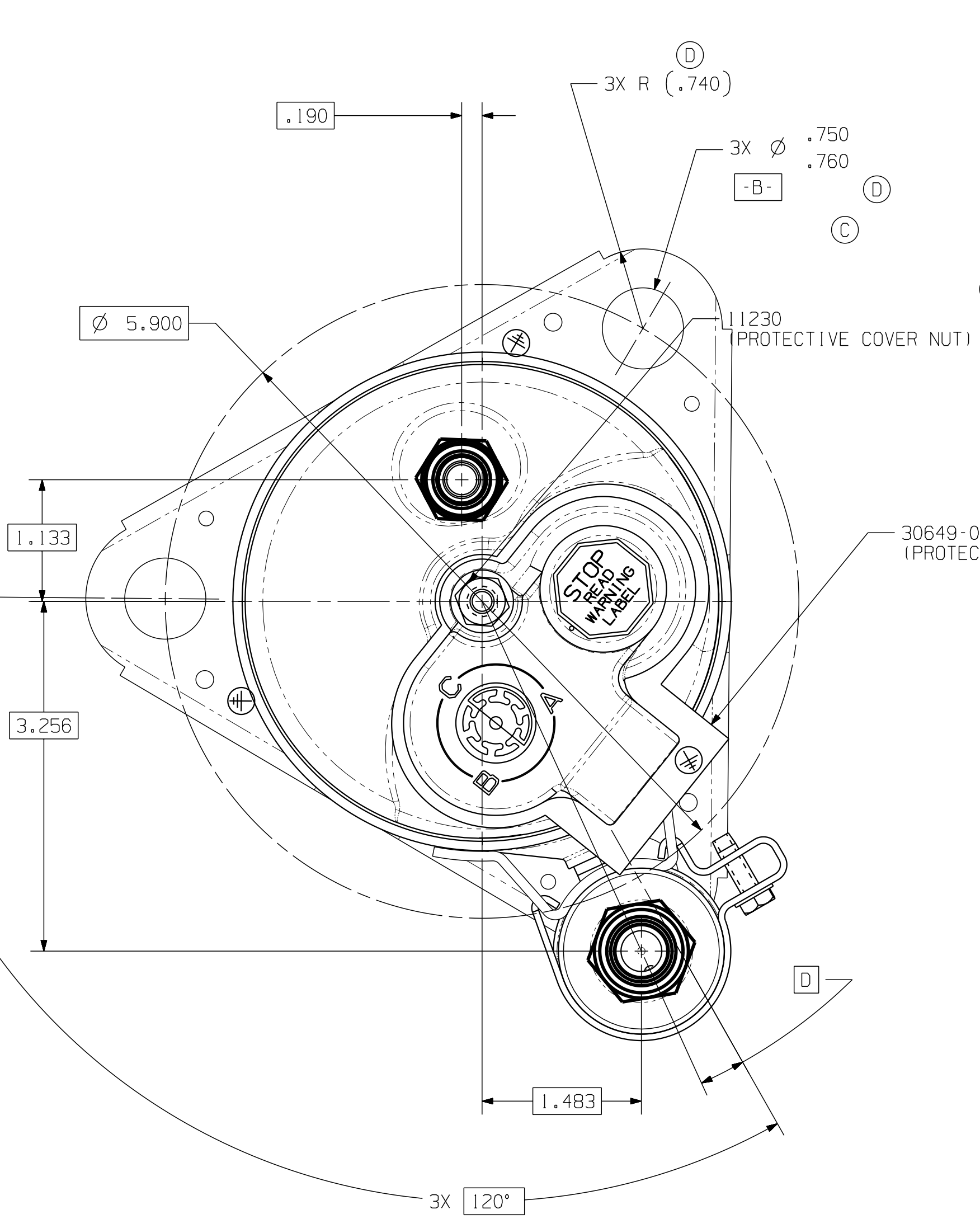


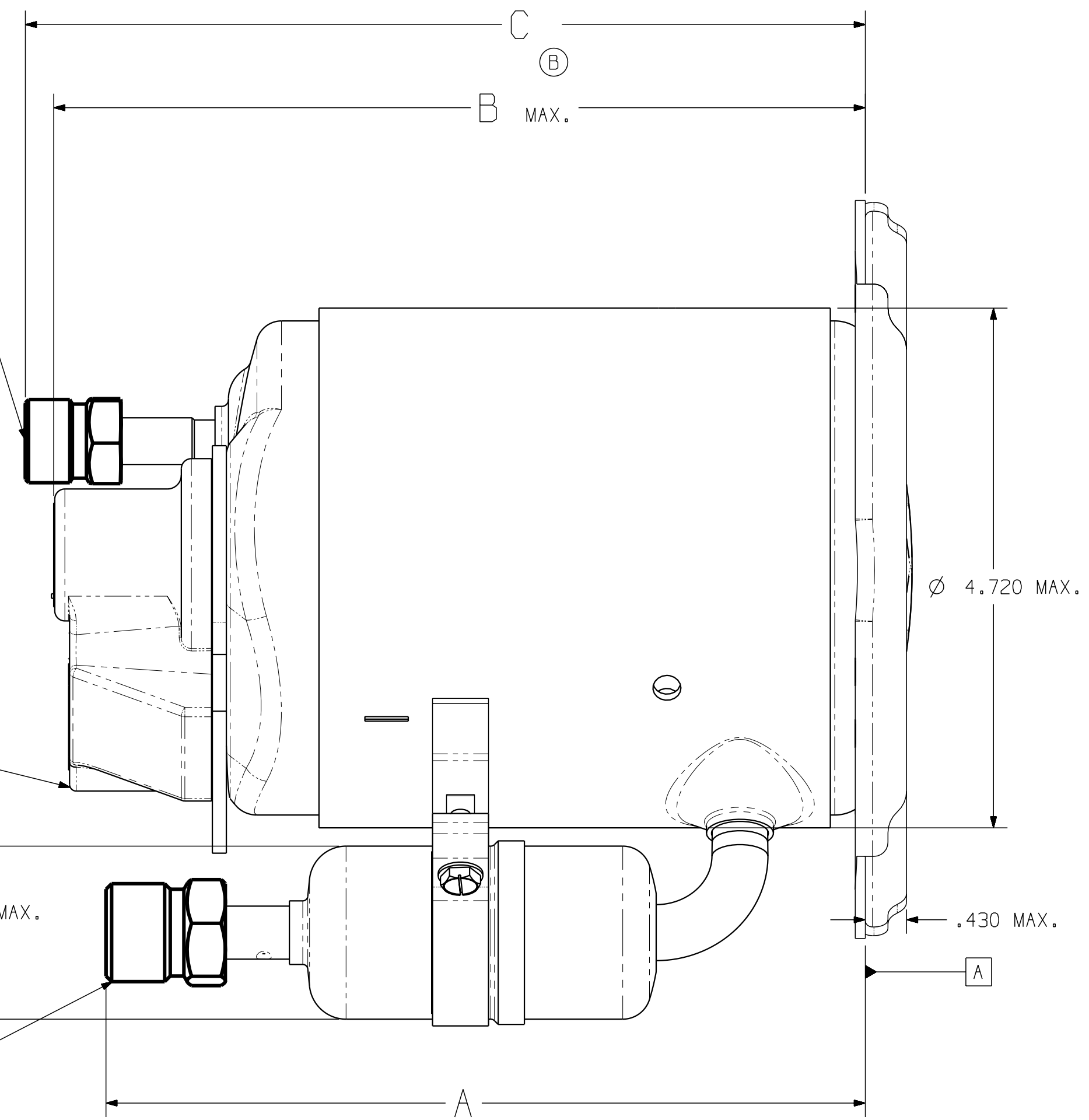
DRAAWING NUMBER	A	B	C	D
DCMX07-001	6.667-7.067	6.415	6.410-6.810	30°
DCMX07-002	6.667-7.067	7.396	7.391-7.791	30°

DRAWING NO. DCMX07 NO

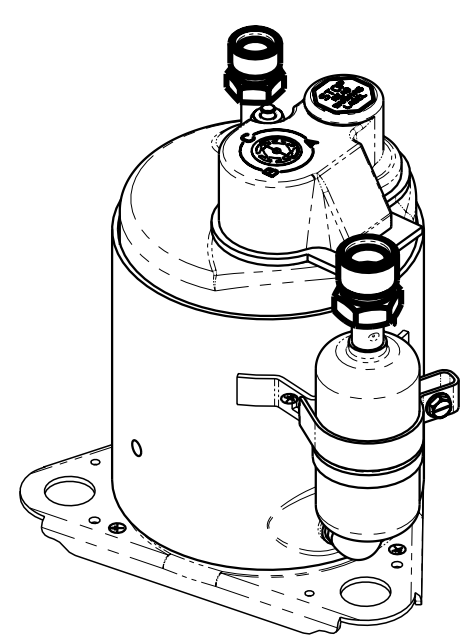


(A) DISCHARGE - #8 THREADED BRASS FITTING 3/4-16UNF-2A
 ⌀ .250 (M) A B (M) (B)

SUCTION - #10 THREADED BRASS FITTING 7/8-14UNF-2A
 ⌀ .200 (M) A B (M) (B)



NOTE:
 1. PROTECTIVE COVER GASKET, PROTECTIVE COVER, AND PROTECTIVE COVER NUT ASSEMBLED IF CALLED FOR ON BILL OF MATERIAL.



ENGLISH	
	Q.A. SYMBOLS
	= CATEGORY I
	= CATEGORY II
	= CATEGORY III
	= CATEGORY IV

MASTERFLUX - SIERRA

REV	DATE	BY	CHKD	APPD	SCALE	THIS PRINT SUPERSEDES ALL PRINTS PRIOR TO
D	EC17684	SP	OSAPROB			
C	REMOVED POSITION	SP	OSAPROB			
B	REMOVED POSITION	SP	OSAPROB			
A	EC8884	EAR	16APR07			
REL	EC2777	--	--			

DIS. CODE		NAME	
EAR 16NOV06		SALES COMPRESSOR	
ON FILE	ON FILE	SCALE	THIS PRINT SUPERSEDES ALL PRINTS PRIOR TO
ON FILE	ON FILE	1:1 & NOTED	
MATERIAL		DRAWING NO.	
NOTED		DCMX07 NO	